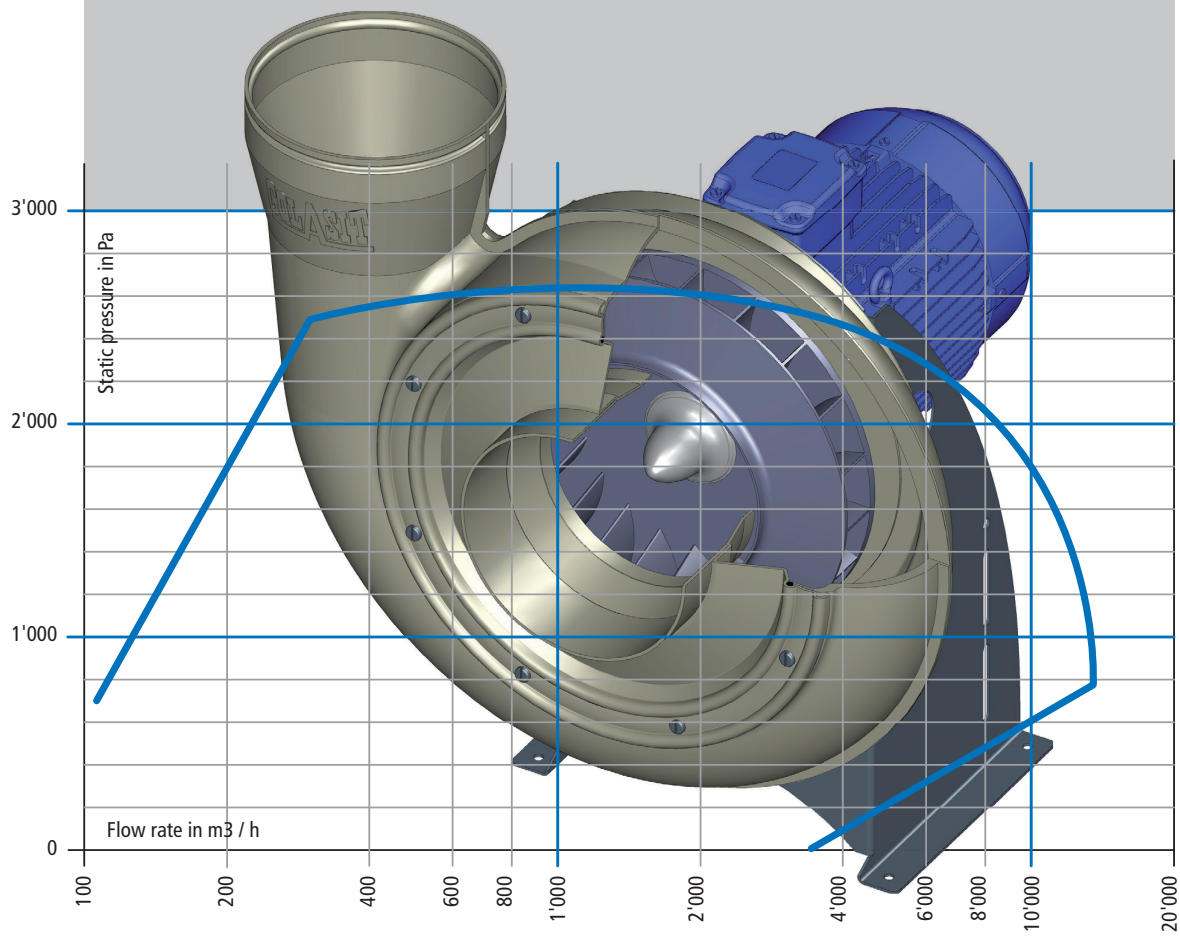


FANS

CMVeco 125 - 400



Medium pressure
radial fan in plastic
Direct- or V-belt drive



Performance

Flow rate:	min. 200m ³ /h to max. 13'000 m ³ /h
Static pressure:	min. 100 Pa to max. 2'600 Pa
Efficiency:	max. 75 %
Inlet / Outlet-Ø:	125, 160, 200, 250, 315, 400 mm

Housing

- Self-supporting design
- Thermoformed (Twin-Sheet)
- Available in: PP, PPs, PPs white, PPs-el, PE, PVC, PVDF
- 6 different outlet positions

Impeller

- Injection-molded
- 20 forward-curved streamlined blades
- Torque transmission achieved by aluminium hub, covered with plastic
- Adaptor for easy impeller mounting
- Available in: PPs, PPs-el, PVDF

Support

- | | |
|--------------------------|-------------------------------------|
| Direct and V-belt drive: | - Sturdy sheet-metal construction |
| | - Available also in stainless steel |

Drive

- | | |
|---------------|--|
| Direct drive: | - Impeller is mounted directly onto the motor shaft |
| V-belt drive: | - Power transmission by v-belt |
| | - Simple tensioning system for easy adjustment or replacement of belts |
| Motor: | - Three phase motor |
| | - One / multi-stage |
| | - Flange mounting motor for direct drive or foot mounting motor for v-belt drive |

EX-Protection

Construction in ATEX. Available in zone 1 + 2

Hub Seal

- Standard hub seals
- V-Ring-seals
- Back plates

Accessories

- PVC sleeve with fixing bands, stainless
- Drain
- Vibration absorber for ground erection or ceiling suspension
- Connection piece
- Ceiling or wall bracket
- Splinter protection
- Motor and v-belt cover also for outside installation
- Frequency converter IP 66 / IP 54 / IP 20

Dimensions