

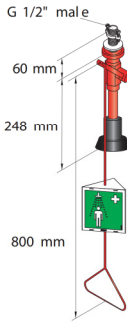
BODY SHOWERS FOR WALL & CEILING

Body Shower, Ceiling Mounted

Anti-corrosive

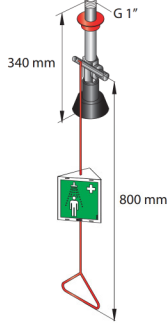
G 1/2" male
No. 17 080.009
 WS: 765964 315

Weight: Approx. 2 kg
 Body shower, ceiling mounted with self-draining shower head. In brass with chemical resistant BROEN Polycoat. Min. working pressure: 1 bar.



G 1"
No. 17 976.004

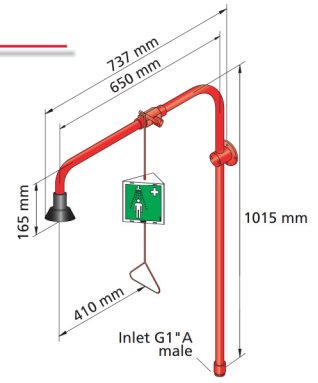
Weight: Approx. 2.5 kg
 Body Shower, ceiling mounted with self-draining head and adjustable flange. In Stainless Steel and Stanniloy. Min. working pressure: 1 bar.



Body Shower, Wall Mounted

No. 17 973.009

Weight: Approx. 5.5 kg
 Body shower, wall mounted with self-draining shower head. In brass with chemical resistant BROEN Polycoat. Min. working pressure: 1 bar.

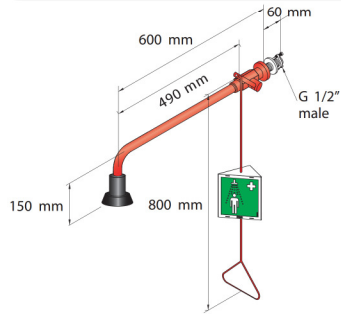


Body Shower, Wall Mounted

Anti-corrosive - Modular

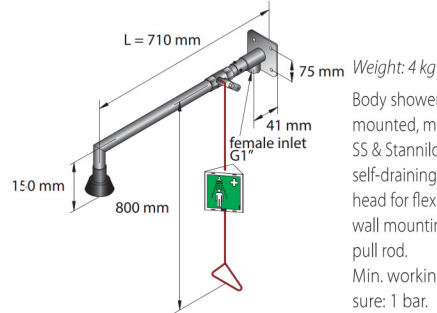
No. 17 081.009
 WS: 765974 315

Weight: Approx. 3 kg
 Body shower, wall mounted with self-draining shower head. In brass with chemical resistant BROEN Polycoat. Min. working pressure: 1 bar.



Supporting wall flange can be used for mounting (see page 13)

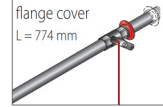
No. 17 970.004
 WS: 766162 300



Weight: 4 kg
 Body shower, wall mounted, modular in SS & Stanniloy with self-draining shower head for flexible wall mounting with pull rod. Min. working pressure: 1 bar.

Other Models

No. 17 969.004
 WS: 766161 300
 Male inlet & flange cover
 L = 774 mm

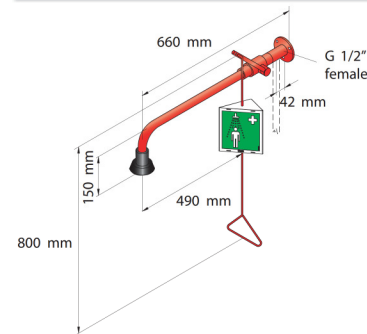


BROEN EMERGENCY SHOWER SYSTEMS

Body Shower for Exposed Pipework, Wall Mounted

No. 17 082.009
 WS: 765984 315

Weight: Approx. 3 kg
 Body shower for exposed pipework with self-draining head. In brass with chemical resistant BROEN Polycoat. Min. working pressure: 1 bar.



Supporting wall flange can be used for mounting (see page 13)

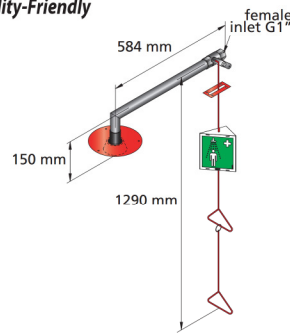
Concealed Pipework



Anti-corrosive - Modular

Disability-Friendly

No. 17 971.004
 WS: 766163 300



Weight: 2.5 kg
 Body shower, concealed, modular in SS with self-draining shower head for recessed flexible wall mounting. With extended pull rod for disabled people. Min. working pressure: 1 bar.

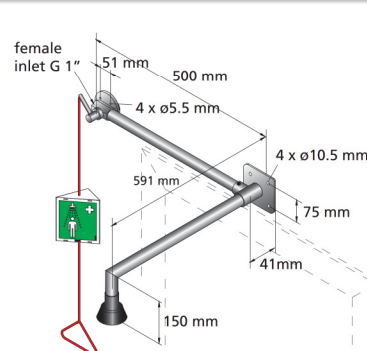
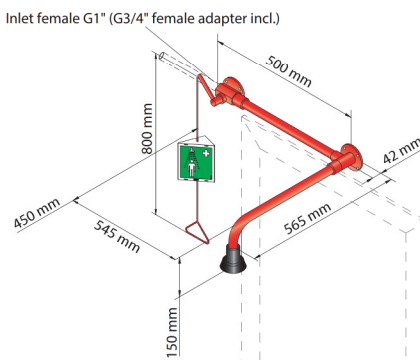
Body Shower, Wall Mounted above Door

Anti-corrosive - Modular

Inlet female G1" (G3/4" female adapter incl.)

No. 17 087.009
 WS: 765992 315

Weight: Approx. 4.5 kg
 Body shower, wall mounted above door for exposed pipework with self-draining head. In brass with chemical resistant BROEN Polycoat. Valve to be mounted left or right of door. Min. working pressure: 1 bar.



No. 17 972.004
 WS: 766162 340

Weight: Approx. 6.5 kg
 Body shower, wall mounted above door for exposed pipework with self-draining head. In Stainless Steel and Stanniloy. Valve to be mounted left or right of door. Min. working pressure: 1 bar.