

Smart Diffusion Oxygen & Toxic Gas Detector

GTD-2000Tx

Feature

- ▷ Continuous detection of toxic gases and oxygen in explosion hazardous area with flame proof structure
- ▷ Self diagnosis function with built-in Microprocessor
- ▷ Excellent selectivity by adapting detection principle only for toxic gases & oxygen
- ▷ Superior performance for detecting toxic gases below TLV
- ▷ Multi functions and high quality with low cost of ownership
- ▷ Built-in back light LCD or OLED display
- ▷ Easy configuration of monitoring system by HART communication
- ▷ Auto calibration and program setting with a magnet bar
- ▷ 4-20mA DC output signal
- ▷ With the alarm unit
 - Normal - Green LED
 - Alarm - Red LED, Buzzer(95 dB)
 - Trouble - Yellow LED
- ▷ Calibration and maintenance by one-man

Special Application



Alarm Beacon Type



Insert type



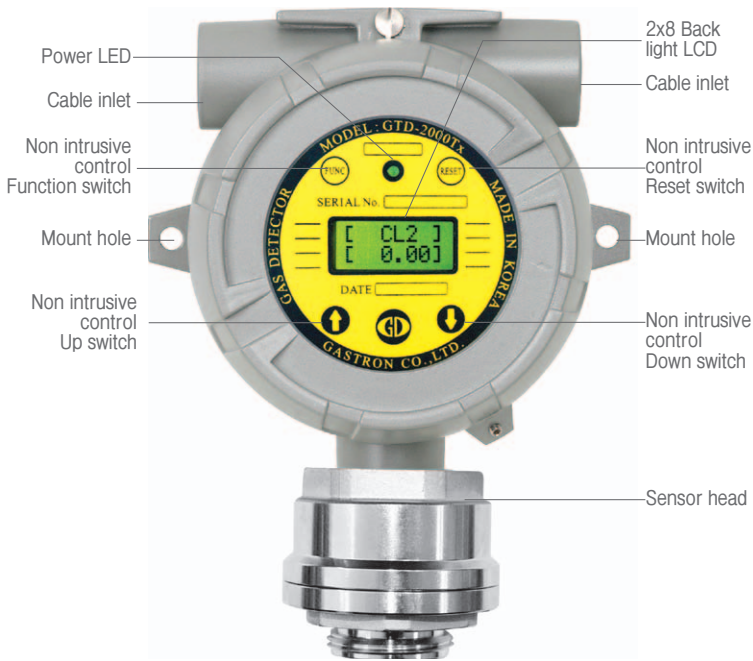
SIL2

IEC 61508
Safety Integrity Level

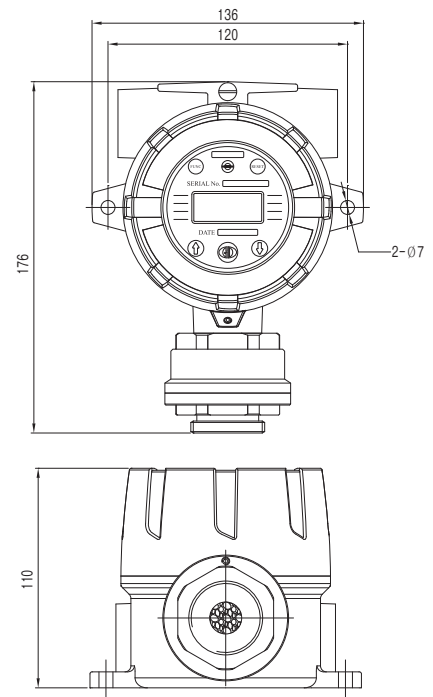
HART
COMMUNICATION PROTOCOL



General



Dimension (Unit:mm)



Accessories



Specification

※Specifications are subject to be changed without prior notice.

| SMART DIFFUSION OXYGEN & TOXIC GAS DETECTOR | |
|---|--|
| Model | GTD-2000Tx |
| Measuring gas | O ₂ / Toxic gases (CO, CL ₂ , NH ₃ & etc) |
| Measuring type | Diffusion type |
| Measuring method | Electrochemical cell, Semiconductor cell |
| Measuring range | Refer to Toxic Gas Measuring Range(166 page) |
| Response time | < 45 sec / 90% scale |
| Accuracy | ±3% / Full scale |
| Parameter control | Non intrusive control with a Magnet bar (calibration, maintenance) |
| Operation mode display | 1-LED (Power) |
| Measuring value display | LCD display (Built in back light 2-Line, 8 characters) / OLED Type (Option) |
| Output signal | Analog : Measuring signal : 4-20mA DC Maintenance signal : 3mA DC Calibration signal : 3mA DC Fault signal : 0mA DC Digital : 2mA (HART 7, HART Device Description Language available, Option) |
| Cable/Distance | Power + Signal cable : 3-wire > 1.5sq (AWG16) / 2500m max |
| Material | Housing : ALDC, SUS316(Optional) / Sensor : SUS316 |
| Conduit connection | G. Rc. NPT 1/2", 3/4" & M20 (G 3/4" : standard) |
| Mounting type | 2" Pole mount, Wall mount, Duct mount |
| Operating temperature | -20℃ ~ +60℃ / -40℃ ~ +80℃ (Option) |
| Operating humidity | 5 ~ 99%RH (non-condensing) |
| Operating power | 18-31V DC (24V DC normal) / 200mA max |
| Dimensions | 136 x 176 x 110 (WxHxD)mm |
| Weight | 1.7kg |
| Approval | Explosion proof type (Ex d IIC T6) KCs / IP66/67 Explosion proof type (Ex d IIC Gb T4-T6) ATEX, IECEx Explosion proof type (Ex d IIC T6 Gb) NEPSI Marine : KR, MED, ABS, BV, DNV HART, SIL 2 |