

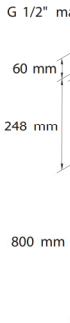
# BODY SHOWERS FOR WALL & CEILING

## Body Shower, Ceiling Mounted

Anti-corrosive

G 1/2" male  
**No. 17 080.009**  
 WS: 765964 315

Weight: Approx. 2 kg  
 Body shower, ceiling mounted with self-draining shower head. In brass with chemical resistant BROEN Polycoat. Min. working pressure: 1 bar.



G 1"  
**No. 17 976.004**

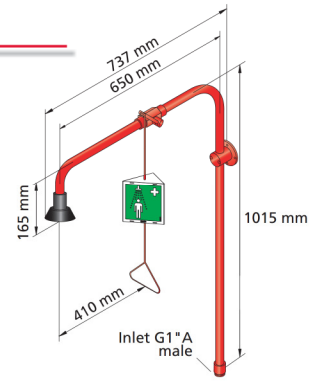
Weight: Approx. 2.5 kg  
 Body Shower, ceiling mounted with self-draining head and adjustable flange. In Stainless Steel and Stanniloy. Min. working pressure: 1 bar.



## Body Shower, Wall Mounted

**No. 17 973.009**

Weight: Approx. 5.5 kg  
 Body shower, wall mounted with self-draining shower head. In brass with chemical resistant BROEN Polycoat. Min. working pressure: 1 bar.

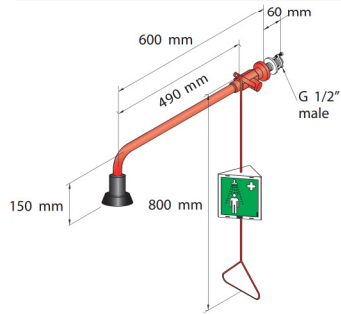


## Body Shower, Wall Mounted

Anti-corrosive - Modular

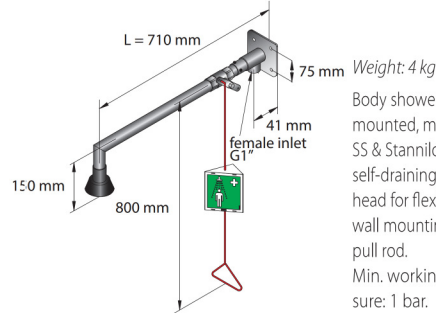
**No. 17 081.009**  
 WS: 765974 315

Weight: Approx. 3 kg  
 Body shower, wall mounted with self-draining shower head. In brass with chemical resistant BROEN Polycoat. Min. working pressure: 1 bar.



Supporting wall flange can be used for mounting (see page 13)

**No. 17 970.004**  
 WS: 766162 300



Weight: 4 kg  
 Body shower, wall mounted, modular in SS & Stanniloy with self-draining shower head for flexible wall mounting with pull rod. Min. working pressure: 1 bar.

### Other Models

No. 17 969.004  
 WS: 766161 300  
 Male inlet & flange cover  
 L = 774 mm

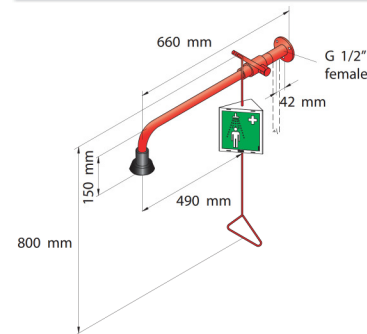


BROEN EMERGENCY SHOWER SYSTEMS

## Body Shower for Exposed Pipework, Wall Mounted

**No. 17 082.009**  
 WS: 765984 315

Weight: Approx. 3 kg  
 Body shower for exposed pipework with self-draining head. In brass with chemical resistant BROEN Polycoat. Min. working pressure: 1 bar.



Supporting wall flange can be used for mounting (see page 13)

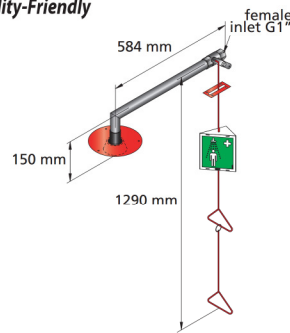
## Concealed Pipework



Anti-corrosive - Modular

### Disability-Friendly

**No. 17 971.004**  
 WS: 766163 300



Weight: 2.5 kg  
 Body shower, concealed, modular in SS with self-draining shower head for recessed flexible wall mounting. With extended pull rod for disabled people. Min. working pressure: 1 bar.

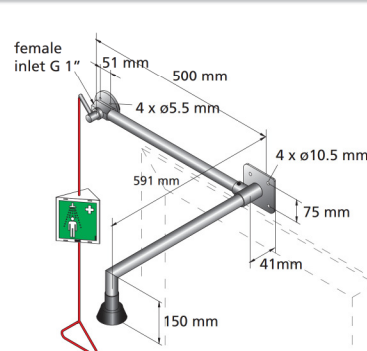
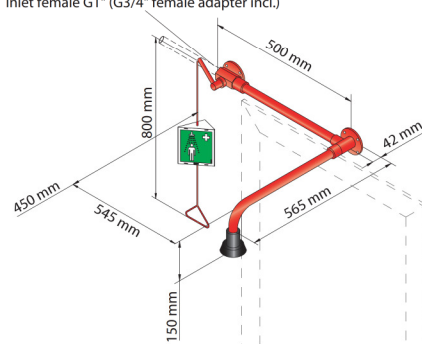
## Body Shower, Wall Mounted above Door

Anti-corrosive - Modular

Inlet female G1" (G3/4" female adapter incl.)

**No. 17 087.009**  
 WS: 765992 315

Weight: Approx. 4.5 kg  
 Body shower, wall mounted above door for exposed pipework with self-draining head. In brass with chemical resistant BROEN Polycoat. Valve to be mounted left or right of door. Min. working pressure: 1 bar.



**No. 17 972.004**  
 WS: 766162 340

Weight: Approx. 6.5 kg  
 Body shower, wall mounted above door for exposed pipework with self-draining head. In Stainless Steel and Stanniloy. Valve to be mounted left or right of door. Min. working pressure: 1 bar.