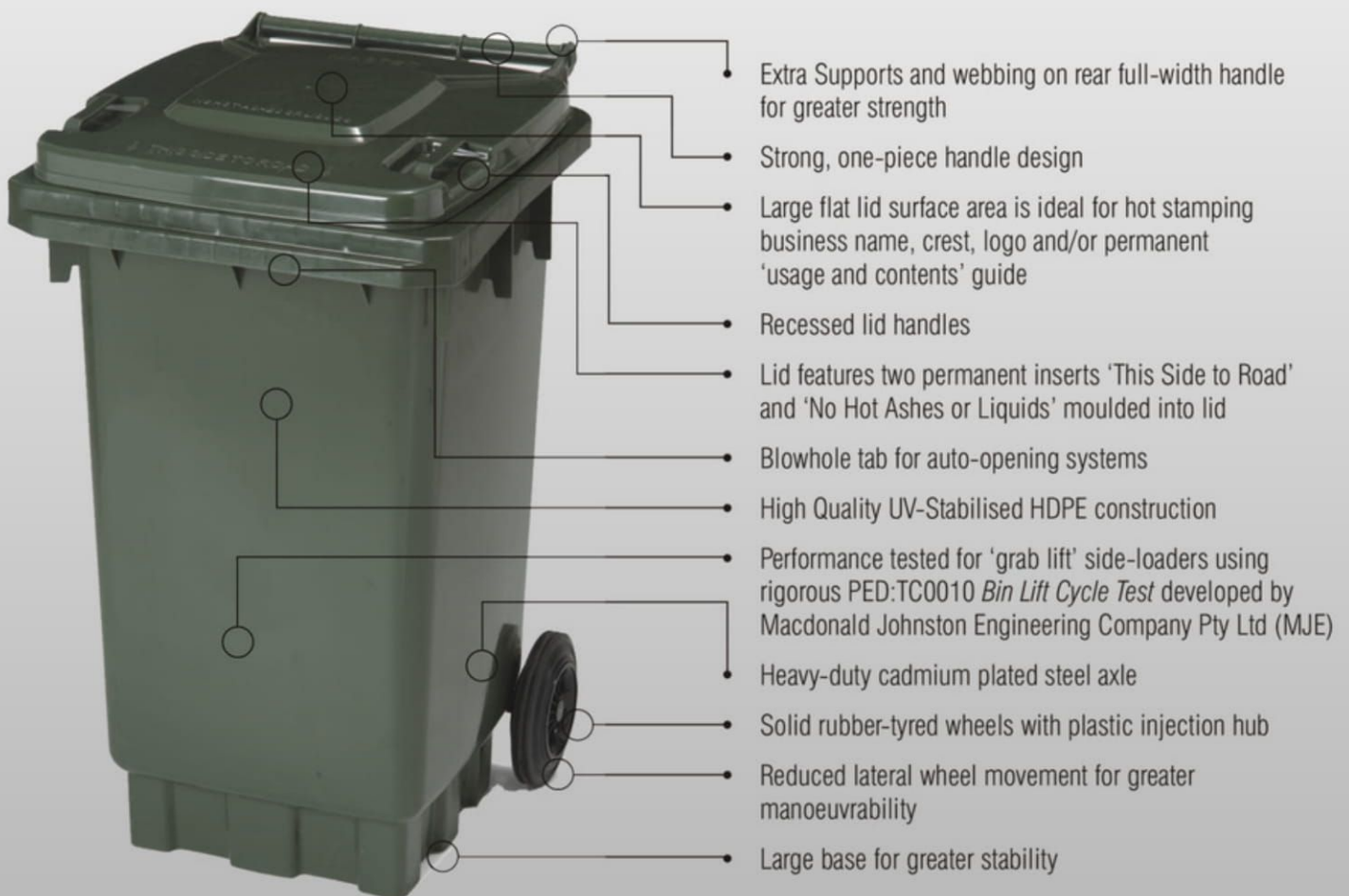


# MASTEC® 140 Litre Squat MGB

Renowned for its robust high-performance design and stability, the Australian-made MASTEC® 140-litre squat MGB delivers the ideal combination of size and capacity. Specifically developed to overcome the issues that can be associated with lifting both large and small bins with one vehicle, the MASTEC® 140-litre squat MGB has been designed to help with optimising grab arm settings - enabling one vehicle to collect both large and small bins without any problems.



## 10-year Manufacturing Warranty\*

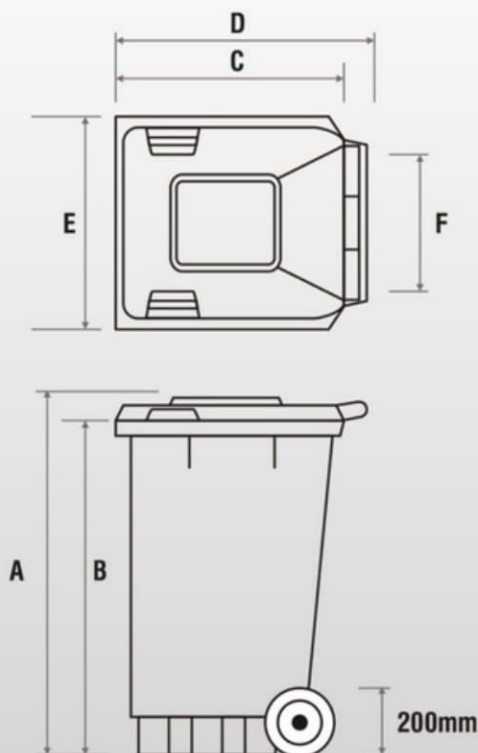
As with all MASTEC® bins and lids, MASTEC® 140-litre squat MGBs are built tough to withstand even the harshest conditions and come with a 10-year manufacturing warranty\* - ensuring that you get the long-term performance that you need.

\* Conditions apply - please refer to Mastec Warranty Policy

## SPECIFICATIONS



# MASTEC® 140 Litre Squat MGB



### MGB 140 Litre

Wheel Diameter	200mm	A	920mm	D	640mm
Weight (approx.)	11.4kg	B	860mm	E	535mm
Volume	140ltr	C	550mm	F	400mm

## Accessories

MASTEC® 140-litre Squat MGBs are also available with a range of optional accessories, including:

- **Rossetted Lids** - to suit bottle and can recycling applications
- **Lockable Bins with Slotted Lids** - ideal for confidential waste
- **Lockable Bin Stands** - available in a choice of galvanized or powder coated finish, the key-lockable stand prevents the bin from being stolen or moved.
- **Bin Liner Bags** - to suit 120/140 litre, 140 litre (squat) and 240 litre bins

## Colours

MASTEC® 140-litre Squat MGBs and lids are available in a range of standard colours and can be 'mixed and matched' to suit your specific needs.



**Please Note:** This colour chart is intended as a guide only. Actual colours may vary from those shown due to differences resulting from the printing process. For further information and samples please contact MASTEC Australia Pty Ltd.

## Hot Stamping

Mastec also offers a full hot stamping service for bins and lids of all sizes. From logos, names and serial numbers, through to 'hot-stamped' usage and contents guides, Mastec's fully-integrated hot stamping service provides an economical, attractive and permanent alternative to stickers and labels.

