

Tapping Points / Entnahmestellen

VSR-3T Series

Product Features

- Bench-mounting tapping points
- Brass chromed plated body and bonnet for non-corrosive gases and mixture up to grade 6.0
- Stainless steel 316L body and bonnet for corrosive gases
- VSR-1EL series single-stage regulator
- VDV2 series diaphragm valve
- Modular design
- Suitable for inlet pressure up to 60 bar
- Test for use with oxygen

Typical Applications

- Component Testing
- Calibration Systems
- Laboratory Pressure Control
- High Pressure Sampling Systems
- Service & Test Equipment



Bench mounting

Ceiling suspending
Handle switch

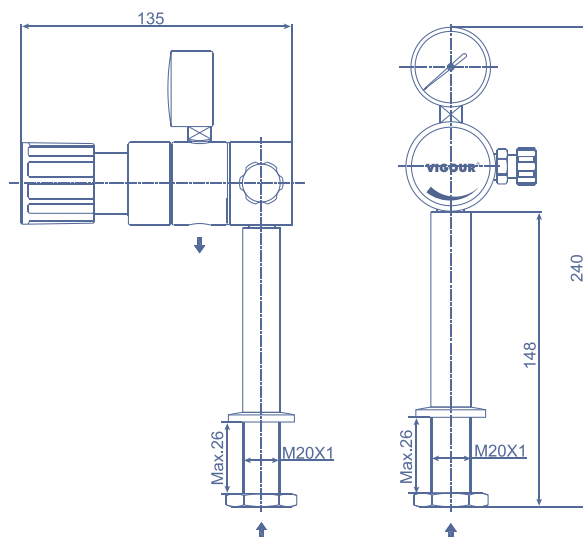


Colours coding will be in accordance to CGA PS2 and UNI EN1089-3 standard

Technical Data

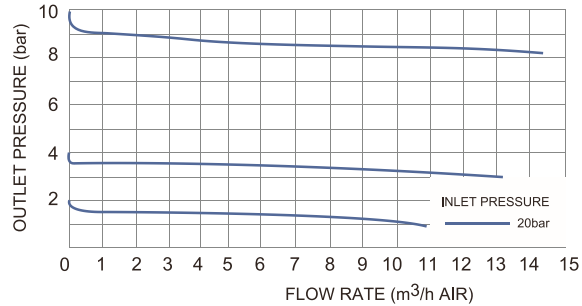
Type:	single-stage
Inlet pressure P ₁ :	max. 60 bar
Outlet pressure P ₂ :	2/4/10/20 bar
Materials:	
Body regulator and valves:	see ordering info
Valve seat (regulator):	PCTFE
(shut-off valve):	PCTFE
Diaphragm(regulator):	Hastelloy® C276
(valve):	Hastelloy® C276
Filter:	SS 316L
Temperature range:	-30°C to +74°C
Leak rate (to atmosphere):	1x10 ⁻⁸ mbar l/s He
(via seat):	1x10 ⁻⁶ mbar l/s He
Flow capacity:	Cv=0.12
Weight:	1.6 kg

Dimensions (mm)



Entnahmestellen / Tapping Points VSR-3T Series

Flow Chart



Ordering Information:

VSR - 3TS - 60 - 10 - 00 - 00 - W - N2 - X

